

**THOMAS PUMP & MACHINERY, INC.**  
 120 Industrial Drive, Slidell, LA 70460  
 (985) 649-3000 fax (985) 649-4300 1-800-256-7887  
 e-mail tpump@thomaspump.com  
 www.thomaspump.com

DIMENSIONS IN INCHES [MM IN BRACKETS]			
DIAM TOL INCHES/MM	LENGTH TOLERANCE INCHES/MM		
BORE +0.012" / +0.3mm	0 TO 23.62	-0.016"	0 TO 600 -0.5mm
TURN -0.012" / -0.3mm	23.62 TO 47.24	-0.032"	600 TO 1800 -0.8mm
ANGULAR ±0°30'	47.24+	-0.059"	1800+ -2.0mm

Δ	.	.	.	2007	Date	Name
Δ	.	.	.	Drawn by	01.07	NH
Revision	Description	Date	Name	Approved by	01.07	NH

SCALE

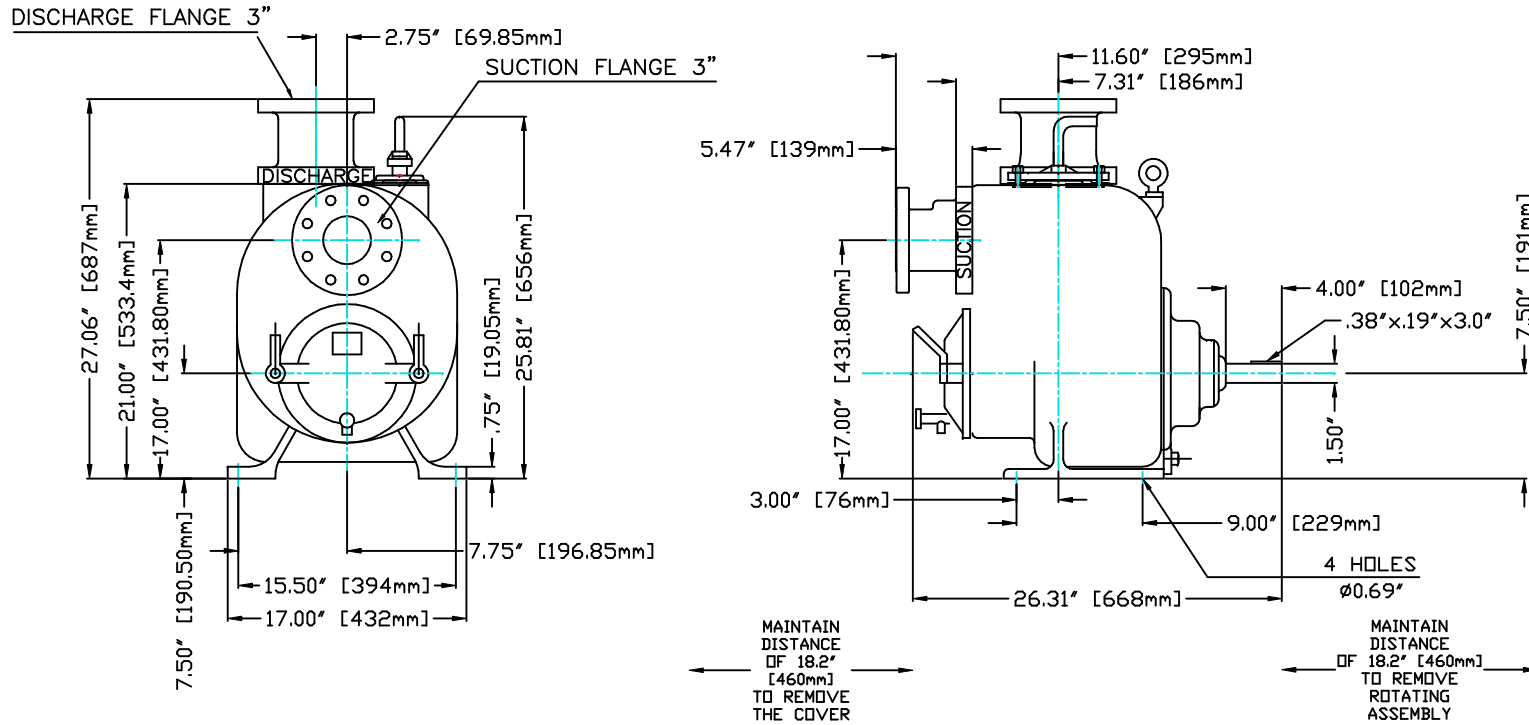
12.00 [304.80]

Weight: 203LB [92KG]

Revision: 0

Description: **GP-2 Dimensions**

Drawing no.: **TP08-GP2-DIM-0**



**THOMAS PUMP & MACHINERY, INC.**  
 120 Industrial Drive, Slidell, LA 70460  
 (985) 649-3000 fax (985) 649-4300 1-800-256-7887  
 e-mail tpump@thomaspump.com  
 www.thomaspump.com



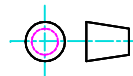
SCALE 12.00" [305mm]

NET WEIGHT 404LB [183kg]

REVISION 0

**DIMENSIONS IN INCHES [MM IN BRACKETS]**

DIAM TOL INCHES/MM		LENGTH TOLERANCE INCHES/MM	
BORE +0.012" / +0.3mm	0 TO 23.62 -0.016"	0 TO 600 -0.5mm	
TURN -0.012" / -0.3mm	23.62 TO 47.24 -0.032"	600 TO 1800 -0.8mm	
ANGULAR ±0°30'	47.24+ -0.059"	1800+ -2.0mm	



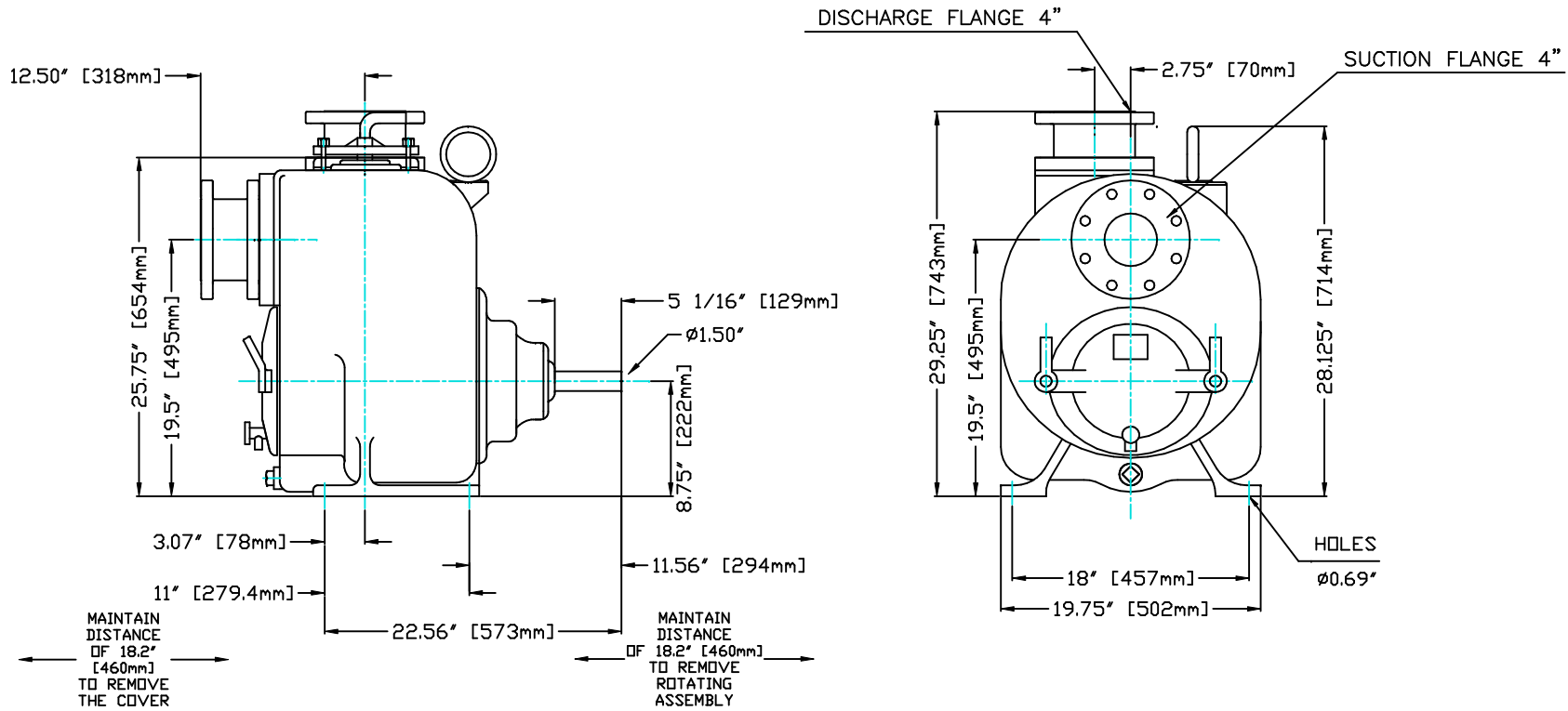
DESCRIPTION

**GP-3 Dimensions**

DRAWING NUMBER

**TP08-GP3-DIM-0**

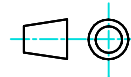
Revision	Description	Date	Name	Approved by
Δ	.	.	.	2007 Date Name
Δ	.	.	.	Drawn by 01.07 NH
Δ	.	.	.	Approved by 01.07 NH



**THOMAS PUMP & MACHINERY, INC.**  
 120 Industrial Drive, Slidell, LA 70460  
 (985) 649-3000 fax (985) 649-4300 1-800-256-7867  
 e-mail tpump@thomaspump.com  
 www.thomaspump.com

**DIMENSIONS IN INCHES [MM IN BRACKETS]**

DIAM TOL INCHES/MM	LENGTH TOLERANCE INCHES/MM	
BORE +0.012" / +0.3mm	0 TO 23.62	-0.016"
TURN -0.012" / -0.3mm	23.62 TO 47.24	-0.032"
ANGULAR ±0°30'	47.24+	-0.059"
	0 TO 600	-0.5mm
	600 TO 1800	-0.8mm
	1800+	-2.0mm



SCALE 12.00" [305mm]

WEIGHT 600LB [259.5kg]

REVISION 0

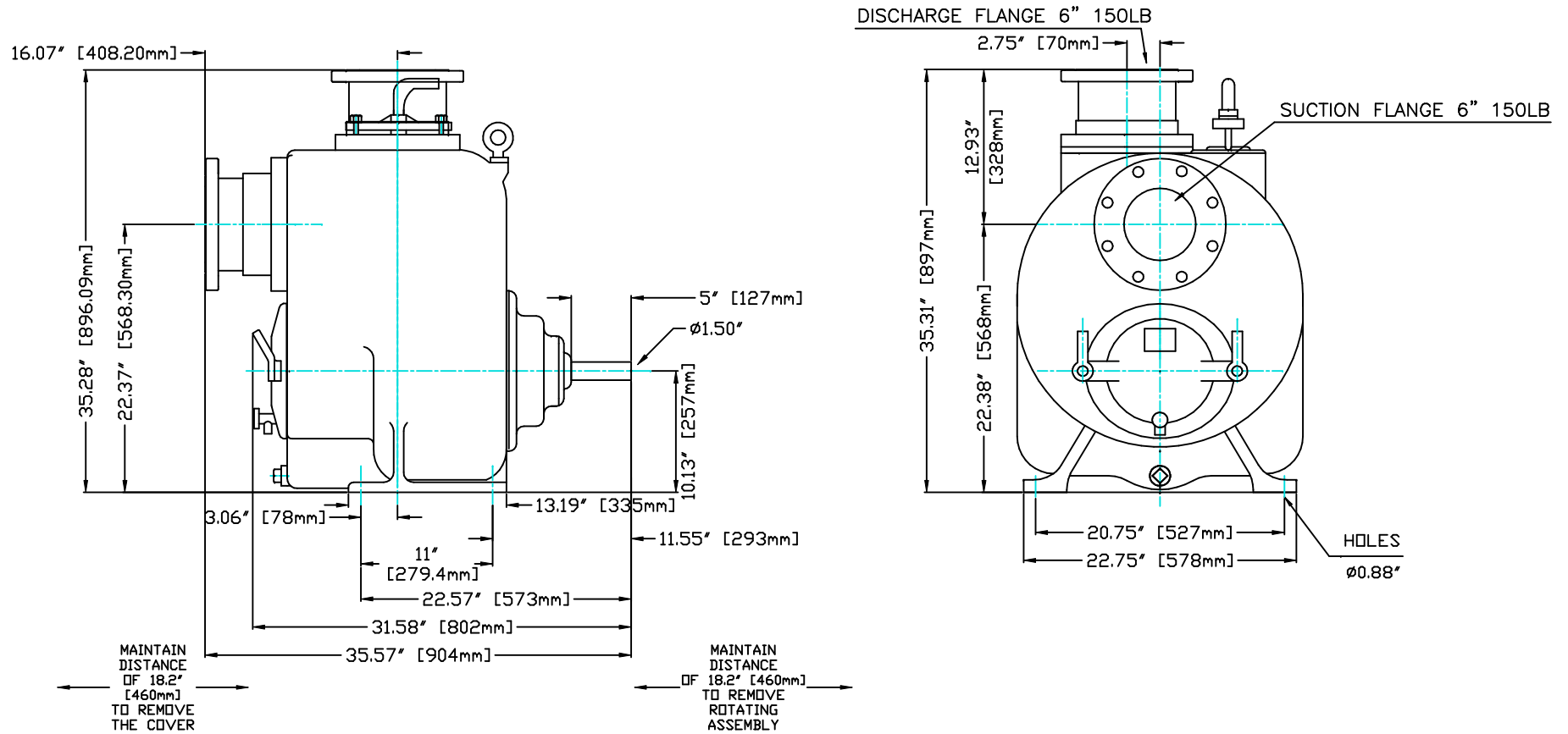
DESCRIPTION

**GP-4 Dimensions**

DRAWING NUMBER

**TP08-GP4-DIM-0**

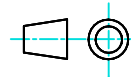
Revision	Description	Date	Name	2007	Date	Name
Δ	.	.	.	2007	Date	Name
Δ	.	.	.	Drawn by	01.07	NH
				Approved by	01.07	NH



**THOMAS PUMP & MACHINERY, INC.**  
 120 Industrial Drive, Slidell, LA 70460  
 (985) 649-8000 fax (985) 649-4800 1-800-256-7867  
 e-mail tpump@thomaspump.com  
 www.thomaspump.com

**DIMENSIONS IN INCHES [MM IN BRACKETS]**

DIAM TOL INCHES/MM	LENGTH TOLERANCE INCHES/MM	
BORE +0.012" / +0.3mm	0 TO 23.62	-0.016" / -0.4mm
TURN -0.012" / -0.3mm	23.62 TO 47.24	-0.032" / -0.8mm
ANGULAR ±0°30'	47.24+	-0.059" / -1.5mm
		0 TO 600 -0.5mm
		600 TO 1800 -0.8mm
		1800+ -2.0mm



SCALE 12.00" [305mm]

WEIGHT 802LB [364kg]

REVISION 0

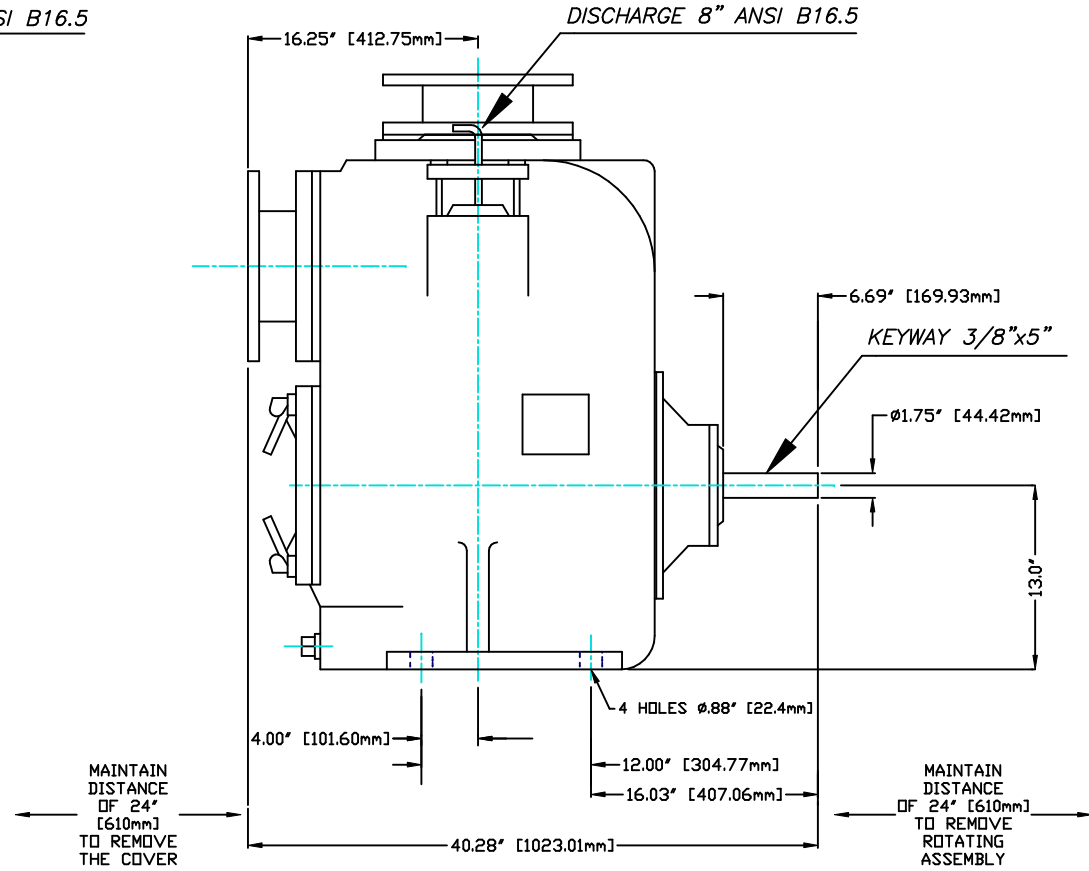
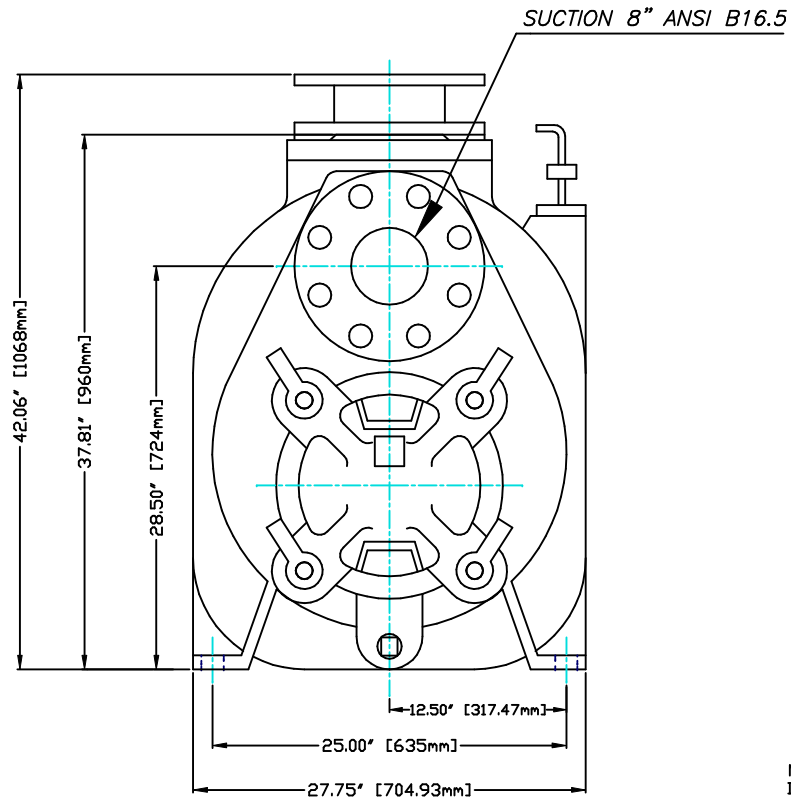
DESCRIPTION

GP-6 Dimensions

DRAWING NUMBER

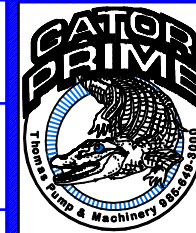
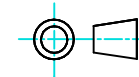
TP08-GP6-DIM-0

Revision	Description	Date	Name	2007	Date	Name
△	.	.	.	2007	Date	Name
△	.	.	.	Drawn by	01.07	NH
				Approved by	01.07	NH



**THOMAS PUMP & MACHINERY, INC.**  
 120 Industrial Drive, Slidell, LA 70460  
 (985) 649-8000 fax (985) 649-4800 1-800-256-7867  
 e-mail tpump@thomaspump.com  
 www.thomaspump.com

DIMENSIONS IN INCHES [MM IN BRACKETS]		
DIAM TOL INCHES/MM	LENGTH TOLERANCE INCHES/MM	
BORE +0.012" / +0.3mm	0 TO 23.62	-0.016"
TURN -0.012" / -0.3mm	23.62 TO 47.24	-0.032"
ANGULAR $\pm 0^{\circ}30'$	47.24+	-0.059"
		0 TO 600 -0.5mm
		600 TO 1800 -0.8mm
		1800+ -2.0mm



SCALE 12.00" [305mm]

WEIGHT 1295LB [581kg]

REVISION 0

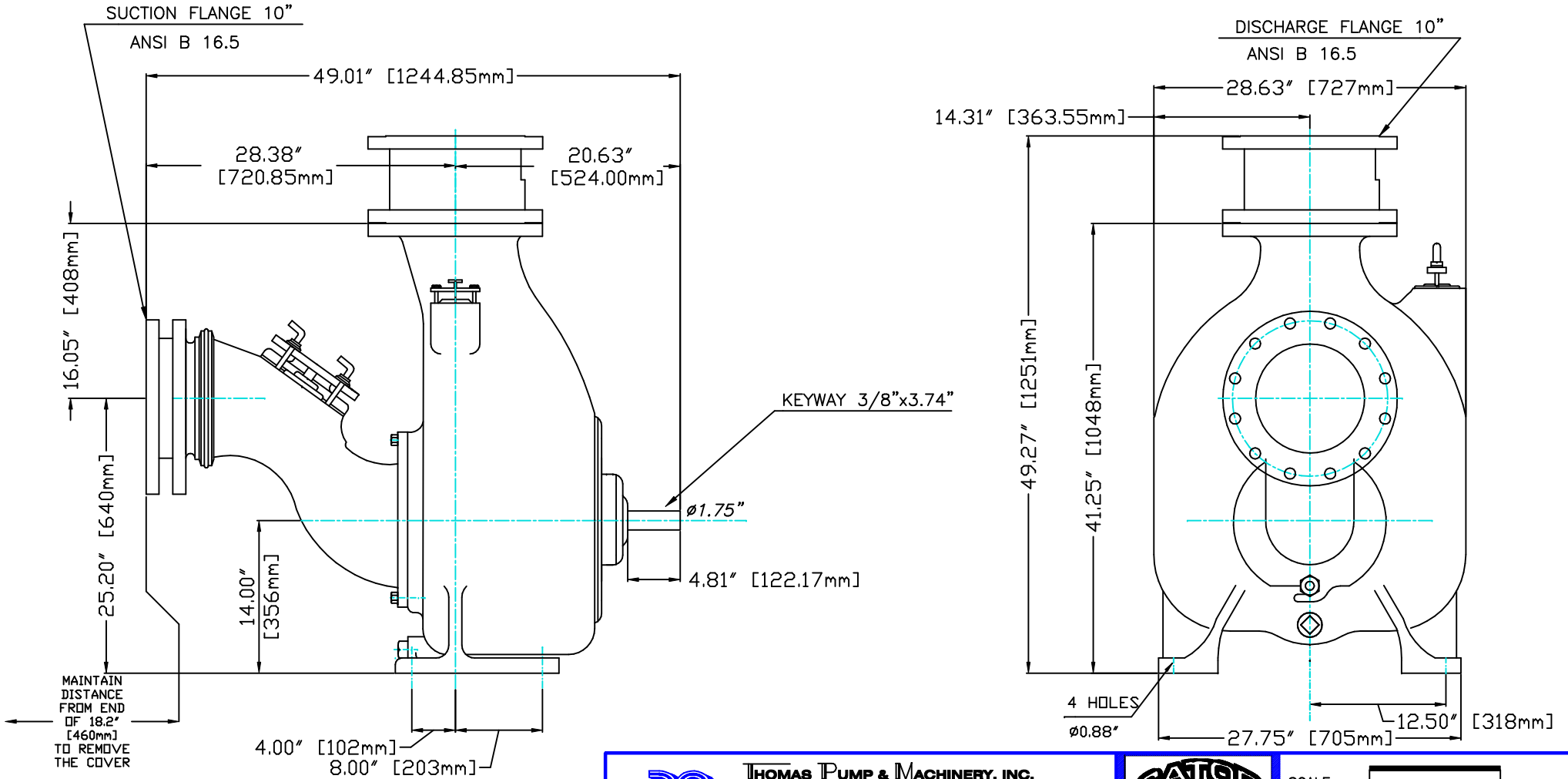
DESCRIPTION

GP-8 Dimensions

DRAWING NUMBER

TP08-GP8-DIM-0

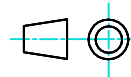
Revision	Description	Date	Name	2007	Date	Name
△	.	.	.	2007	Date	Name
△	.	.	.	Drawn by	01.07	NH
				Approved by	01.07	NH



**THOMAS PUMP & MACHINERY, INC.**  
 120 Industrial Drive, Slidell, LA 70460  
 (985) 649-3000 fax (985) 649-4300 1-800-256-7867  
 e-mail tpump@thomaspump.com  
 www.thomaspump.com

**DIMENSIONS IN INCHES [MM IN BRACKETS]**

DIAM TOL INCHES/MM	LENGTH TOLERANCE INCHES/MM	
BORE +0.012" / +0.3mm	0 TO 23.62	-0.016" / -0.5mm
TURN -0.012" / -0.3mm	23.62 TO 47.24	-0.032" / -0.8mm
ANGULAR ±0°30'	47.24+	-0.059" / -2.0mm



SCALE 12.00" [305mm]

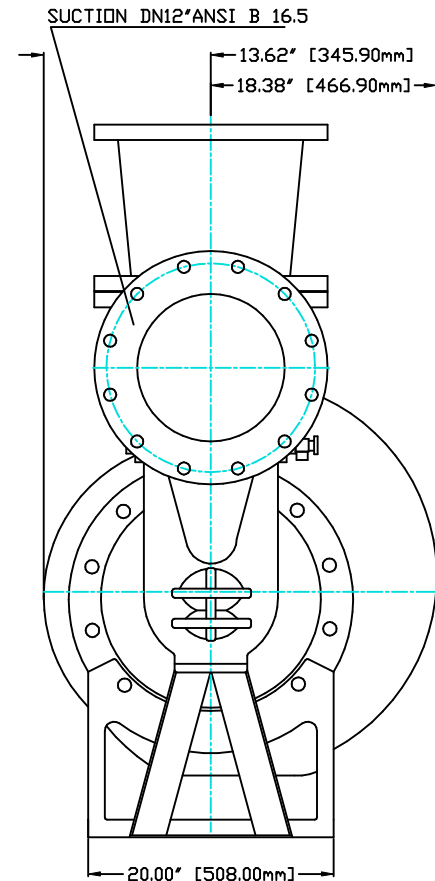
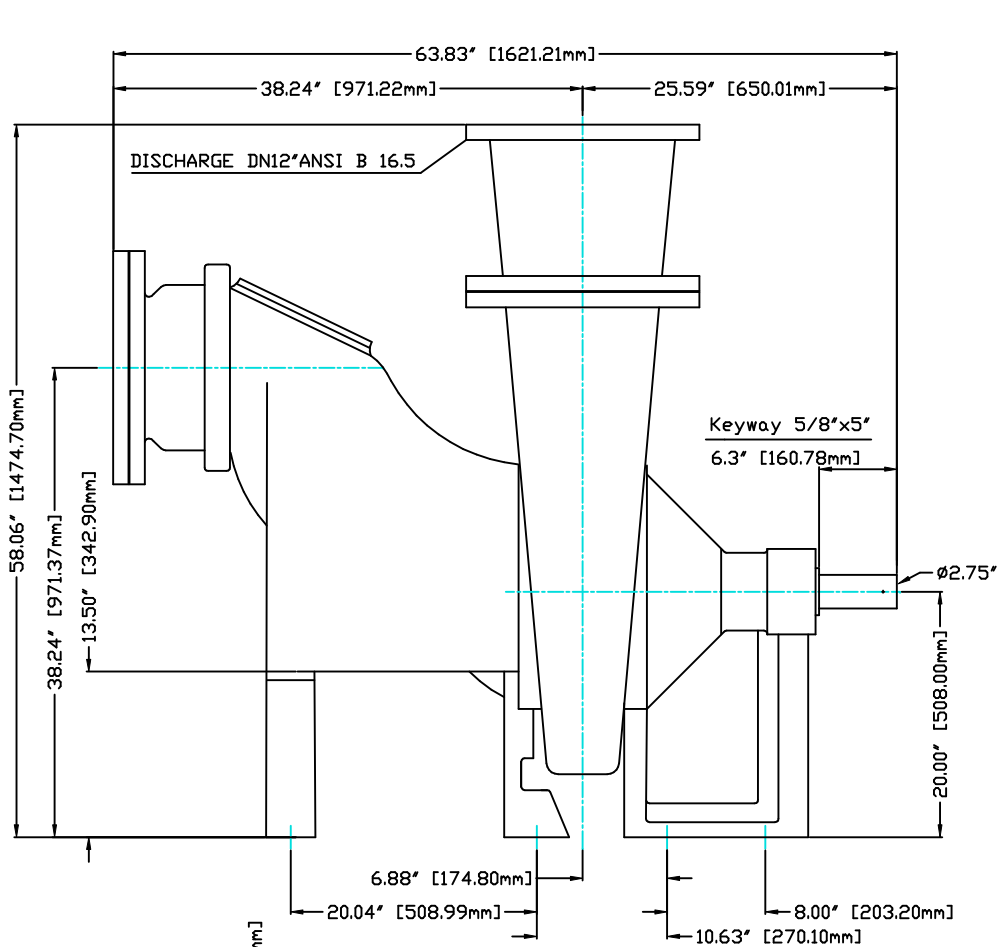
WEIGHT 1400LB [635kg]

REVISION 0

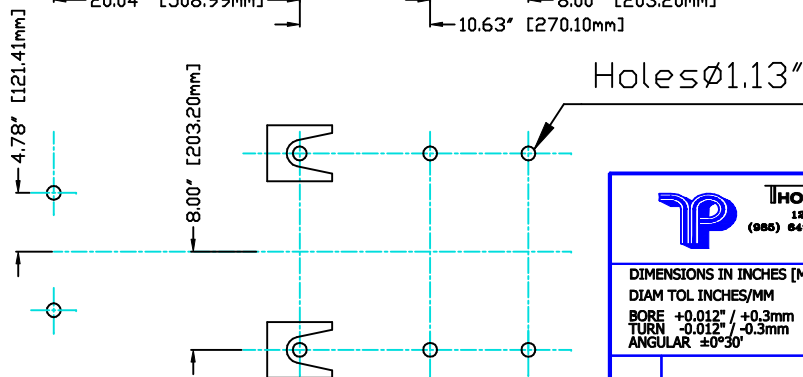
DESCRIPTION  
**GP-10 Dimensions**


DRAWING NUMBER  
**TP08-GP10-DIM-0**

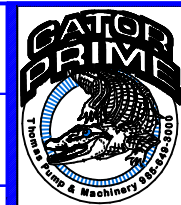
Revision	Description	Date	Name	2007	Date	Name
Δ	.	.	.	2007	Date	Name
Δ	.	.	.	Drawn by	01.07	NH
				Approved by	01.07	NH

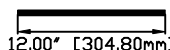


NOTE: MAINTAIN DISTANCE OF 18.4" ON EACH END TO REMOVE THE COVER AND THE ROTATING ASSEMBLY.



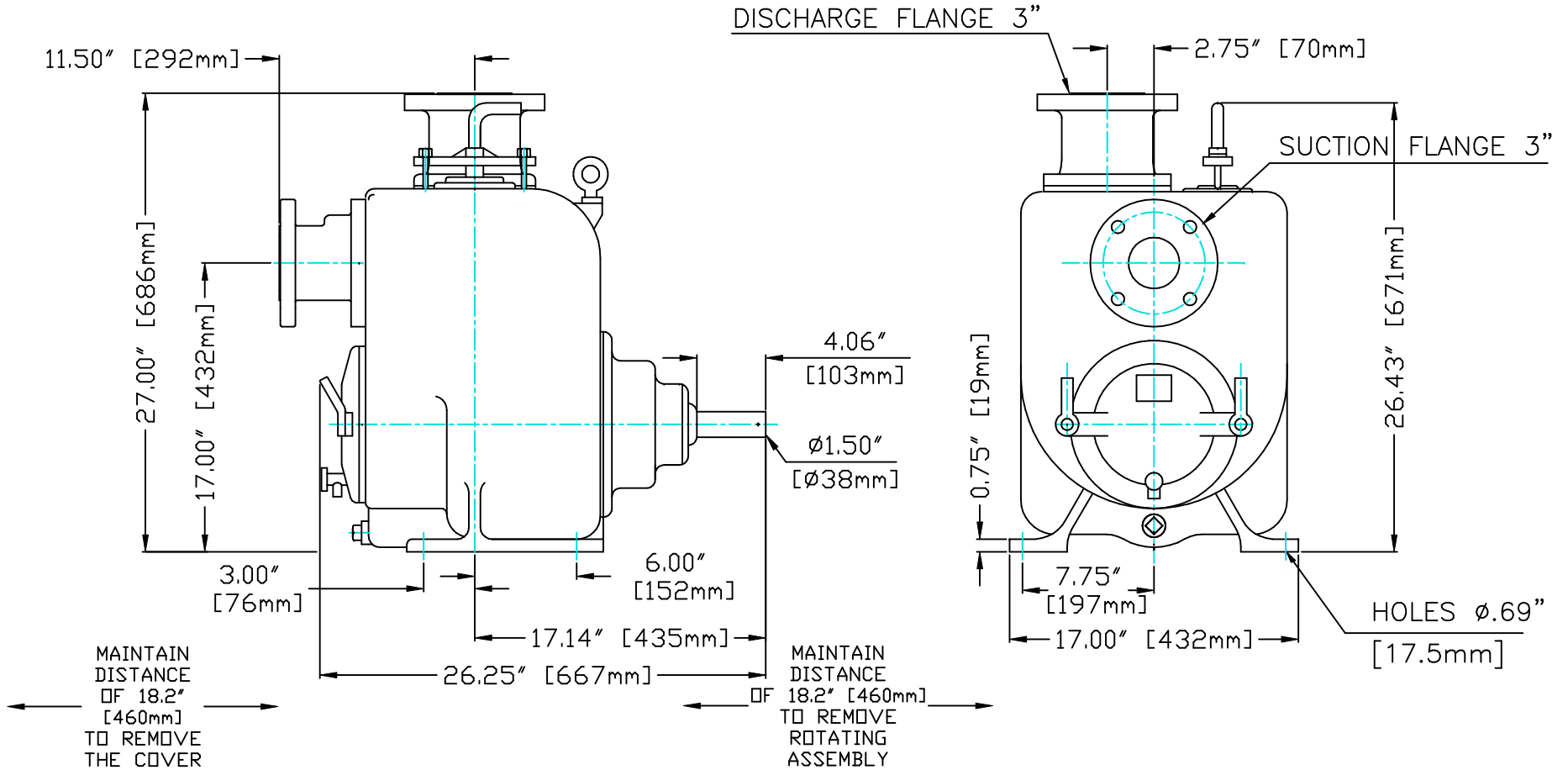
 <b>THOMAS PUMP &amp; MACHINERY, INC.</b> 180 Industrial Drive, Sibley, LA 70480 (888) 848-2000 Fax (888) 848-8200 1-800-258-7887 e-mail tpump@thomaspump.com www.thomaspump.com			
DIMENSIONS IN INCHES [MM IN BRACKETS]			
DIAM TOL INCHES/MM		LENGTH TOLERANCE INCHES/MM	
BORE	+0.012" / +0.3mm	0 TO 23.62	-0.015" -0.5mm
TURN	-0.012" / -0.3mm	23.62 TO 47.24	-0.032" -0.8mm
ANGULAR	±0°30'	47.24+	-0.059" -2.0mm
Δ	.	.	2007 Date Name
Δ	.	.	Drawn by 01.07 NH
Revision	Description	Date	Name Approved by 01.07 NH





SCALE	 12.00" [304.80mm]
WEIGHT	2200LB [998kg]
REVISION	0

DESCRIPTION  
**GP-12 Dimensions**

DRAWING NUMBER  
**TP08-GP12-DIM-0**



 <b>THOMAS PUMP &amp; MACHINERY, INC.</b> 120 Industrial Drive, Slidell, LA 70460 (985) 649-8000 fax (985) 649-4300 1-800-256-7867 e-mail tpump@thomaspump.com www.thomaspump.com		SCALE  12.00" [305mm]	
		WEIGHT 472LB [214kg]	
DIMENSIONS IN INCHES [MM IN BRACKETS] DIAM TOL INCHES/MM BORE +0.012" / +0.3mm TURN -0.012" / -0.3mm ANGULAR ±0°30'		LENGTH TOLERANCE INCHES/MM 0 TO 23.62 -0.016" 23.62 TO 47.24 -0.032" 47.24+ -0.059" 0 TO 600 -0.5mm 600 TO 1800 -0.8mm 1800+ -2.0mm	
DESCRIPTION <h1>GH-3 Dimensions</h1>		DRAWING NUMBER <h1>TP08-GH3-DIM-0</h1>	
Δ . . . . . Δ . . . . . Revision Description Date Name	2007 Date Name Drawn by 01.07 NH Approved by 01.07 NH	REVISION 0	

