

PARTS LIST
WITH RECOMMENDED SPARE

GP-8 SERIES PUMP



MODEL

GP - 8

Thomas Pump & Machinery
120 Industrial Drive
Slidell, LA 70460

PH: 985-649-3000
Fax: 985-649-4300

SECTION DRAWING

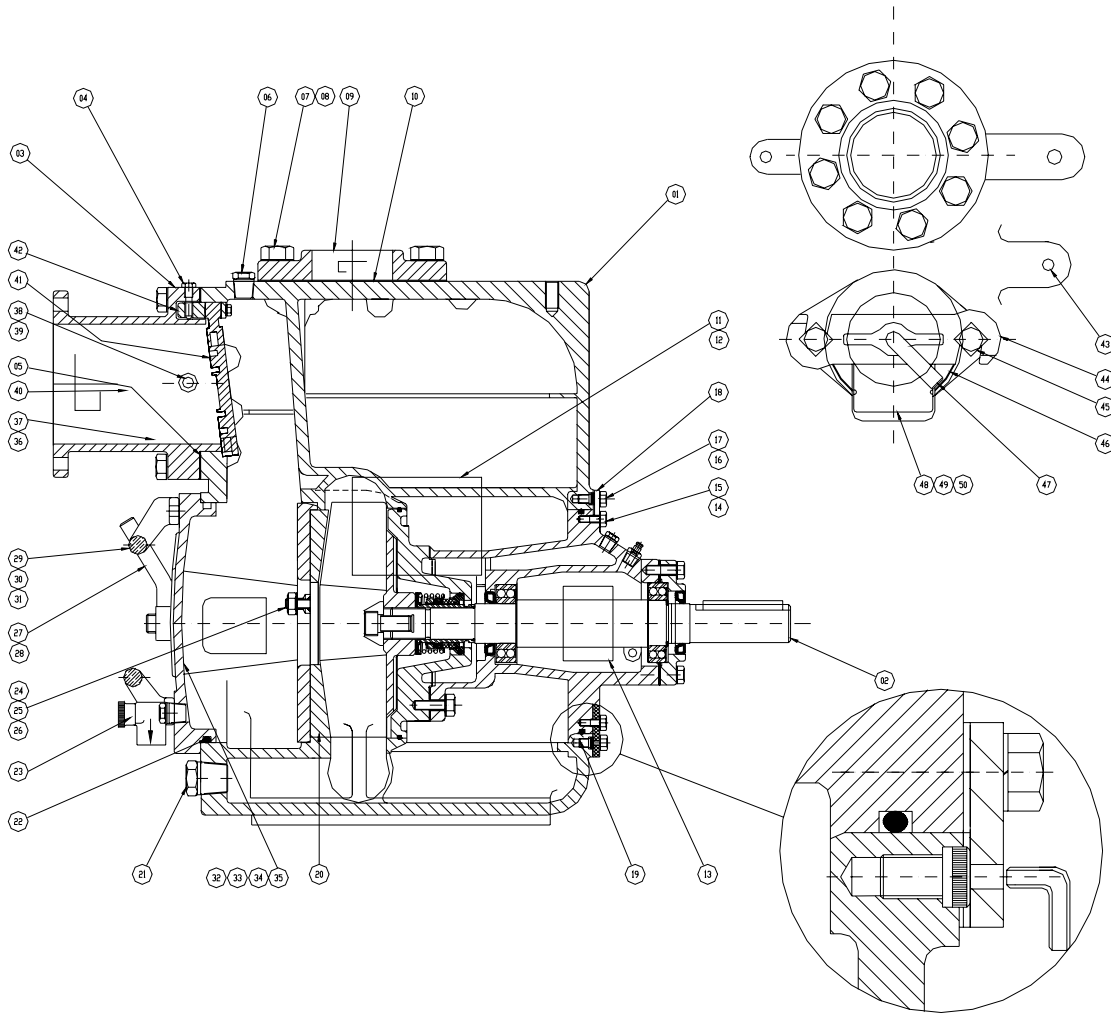


Figure 1. Pump Model

PARTS LIST
Pump Model GP-8

ITEM NO.		PART NAME	QTY	PART NUMBER
01		PUMP CASING	01	9600153000
02	*	REPAIR ROTATING ASSY	01	9600148000
03		SUCTION FLANGE	01	9700493000
04		CHECK VALVE PIN	01	9901373000
05	*	SUCT FLANGE GSKT	01	9901374000
06		PIPE PLUG	01	3310271020
07		HEX HD CAPSCREW	08	2101265850
08		LOCKWASHER	08	2321080920
09		DISCHARGE FLANGE	01	3354211240
10	*	DISH FLANGE GSKT	01	9901375000
11		NAME PLATE	01	9901325000
12		DRIVE SCREW	04	2750201200
13		ROTATION DECAL	01	9901433000
14		HEX HD CAPSCREW	06	2101263880
15		LOCKWASHER	06	2321080840
16		HEX HD CAPSCREW	06	2101263890
17		LOCKWASHER	06	2321080840
18		CASING RING	01	9901354000
19		ROT ASSY SCREW SET	06	2102133870
20	*	WEAR PLATE ASSY	01	9700492000
21		PIPE PLUG	01	3310271160
22	*	BACK COVER O`RING	01	3606224590
23	*	PRESS RELIEF VALVE	01	3768500300
24		STUD	03	9901376000
25		LOCKWASHER	03	2321080840
26		HEX NUT	03	2211270050
27		HAND NUT	04	9901309000
28		STUD	04	9911432000
29		BACK COVER PLATE	04	9800887000
30		HEX HD CAPSCREW	08	2101262570
31		LOCKWASHER	08	2321090800
32		BACK COVER PLATE ASSY	01	9700522000
33		WARNING PLATE	01	9901328000
34		DRIVE SCREW	04	2750201200
35		CAUTION DECAL	01	9901329000
36		HEX HD CAPSCREW	08	2101265850
37		LOCKWASHER	08	2321080920
38		PIPE PLUG	01	3310271020
39		PIPE PLUG	01	3310271020
40		SUCTION STICKER	01	9901340000
41	*	VALVE ASSEMBLY	01	9700464000
42		DISCHARGE DECAL	01	9901341000
43		PIPE PLUG	01	3310271020
44		CLAMP BAR	01	9800868000
45		HEX HD CAPSCREW	02	2102565150
46	*	FILL COVER GASKET	01	9901330000
47		CLAMP BAR SCREW	01	9901311000
48		FILL COVER ASSY	01	9901299000
49		WARNING PLATE	01	9901331000
50		DRIVE SCREW	02	2750201200

*** INDICATES PARTS RECOMMENDED FOR STOCK**

PART LIST

Repair Rotating Assembly

ITEM NO.		PART NAME	QTY	PART NUMBER
01	*	IMPELLER	01	9700494000
02	*	SEAL PLATE GASKET	01	9901377000
03	*	SEAL ASSEMBLY	01	9800907000
04	*	INBOARD BALL BEARING	01	3180074480
05		BEARING HOUSE	01	9700496000
06		PIPE PLUG	01	9901335000
07		VENTED PLUG	01	3110906000
08	*	OUTBOARD BALL BEARING	01	3180074570
09	*	BRG HOUSING O`RING	01	3606124980
10		BEARING CAP	01	9901358000
11		IMPELLER SHAFT	01	9800917000
12	*	SHAFT KEY	01	9901357000
13	*	OUTBOARD OIL SEAL	01	3680049460
14		BEARING RETAINING RING	01	2322600360
15		HEX HD CAPSCREW	04	2101262590
16		LOCKWASHER	04	2321080800
17	*	BEARING HOUSING O`RING	01	3606224580
18	*	INBOARD OIL SEAL	01	3680049460
19		HEX HD CAPSCREW	04	2101265070
20		LOCKWASHER	04	2321080880
21		SEAL PLATE	01	9700495000
22	*	SEAL PLATE O`RING	01	3606131840
23		IMPELLER WASHER	01	9901313000
24		IMPELLER CAPSCREW	01	2102141950
25		SIGHT GAUGE	01	3480500200
26		PIPE PLUG	01	3310271060
27		PIPE PLUG	01	3310271060
28		PIPE PLUG	01	3310271080
29		SEAL ASSEMBLY O-RING	01	3606220260

* INDICATES PARTS RECOMMENDED FOR STOCK